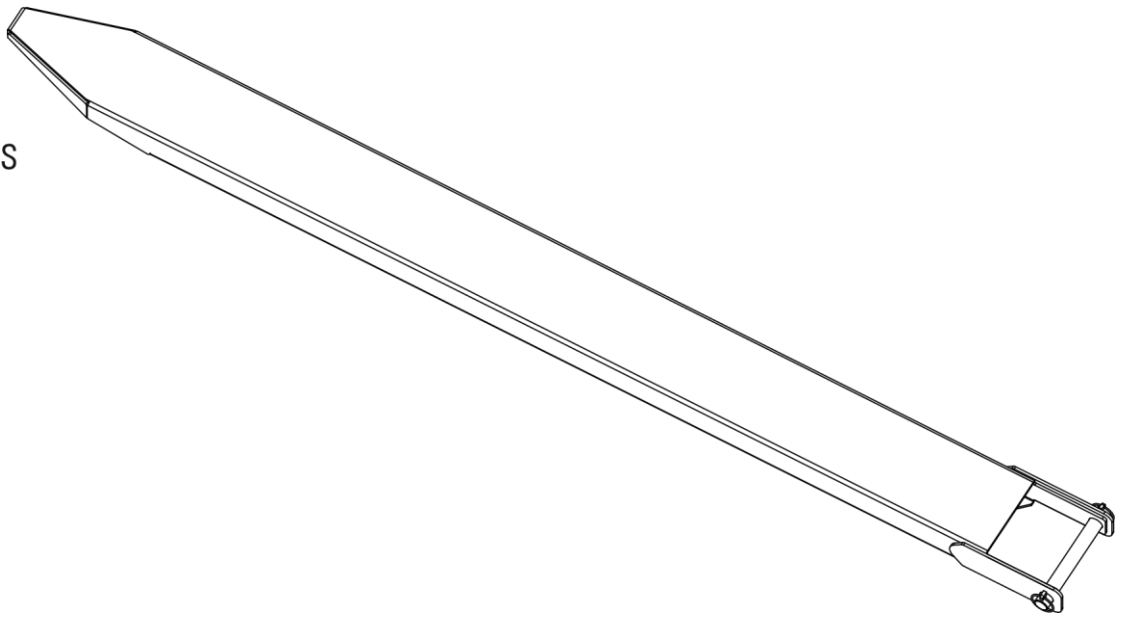


Instruction and parts manual

Extension forks



Manual No.: MA16052017-02ENG

Language: ENG

Publishing date: 09-04-2021

Revision: 02

Table of contents

Definitions	2
Remark	2
(Quality) standards and directives	2
Safety	3
General description	4
Montage Extension forks	4
Available Types	5
Maintenance schedule	6
Spare parts.....	6

Definitions

**Warning:**

Text blocks marked by a “Warning” icon (as shown on the left) and starting with the text “**Warning:**” provide information on actions which may result in serious injury.

**Caution:**

Text blocks marked by a “Caution” icon (as shown on the left) and starting with the text “**Caution:**” provide information on actions which may result in damage to the Extension fork, parts of the Extension fork or goods.

Remark

© Copyright 2021, Meijer Handling Solutions B.V. All rights reserved.

Information in this manual, including but not limited to images and text, may not be reproduced without prior written permission of Meijer Handling Solutions B.V.

The information in this manual is provided without any form of guarantee. Meijer Handling Solutions B.V. shall in no case be liable for injuries and damages resulting from use of this manual.

Note that the information in this manual can be modified at any time without prior notice. Note also that this manual can contain technical inaccuracies and misprints. Meijer Handling Solutions B.V. does its best to prevent mistakes in the manual, but can not guarantee it. If you come across misprints or technical inaccuracies or if you have suggestions, please, let us know about it.

Trademarks or product names used in this manual, but are not mentioned here, are trademarks of their respective holders.

(Quality) standards and directives

Meijer Handling Solutions B.V. complies with the following quality standard: ISO 9001.

The Extension fork complies with the following standards and directives:

- ISO 13284 - Fork-arm and telescopic fork arms.

Safety



Warning:

The fork length must be at least 60% of the length of the extension fork. Shorter forks are allowed only after explicit permission from the supplier.



Warning:

Don't use the Extension fork in temperatures lower than -30°C / -22°F or higher than 50°C / 122°F.



Warning:

Don't let a minor operate the Extension fork, only qualified operators.



Warning:

Don't use the Extension fork for lifting people or animals.



Warning:

Don't operate the Extension fork while there are people on the Extension fork.



Warning:

Don't weld to the Extension forks without specific authorization of the supplier. If welding takes place on the Extension fork without the mentioned authorization, all warranty will expire.



Warning:

Don't use the Extension forks with any failings, before it is expertly repaired or replaced.



Warning:

The Extension forks may not be used without securing it.



Caution:

Recalculate and replace name plate for residual capacity of the forklift.



Caution:

The extension fork has a maximum capacity.



Caution:

When using extension forks, the length of the forks will be higher.



Caution:

Perform prescribed controls and activities.

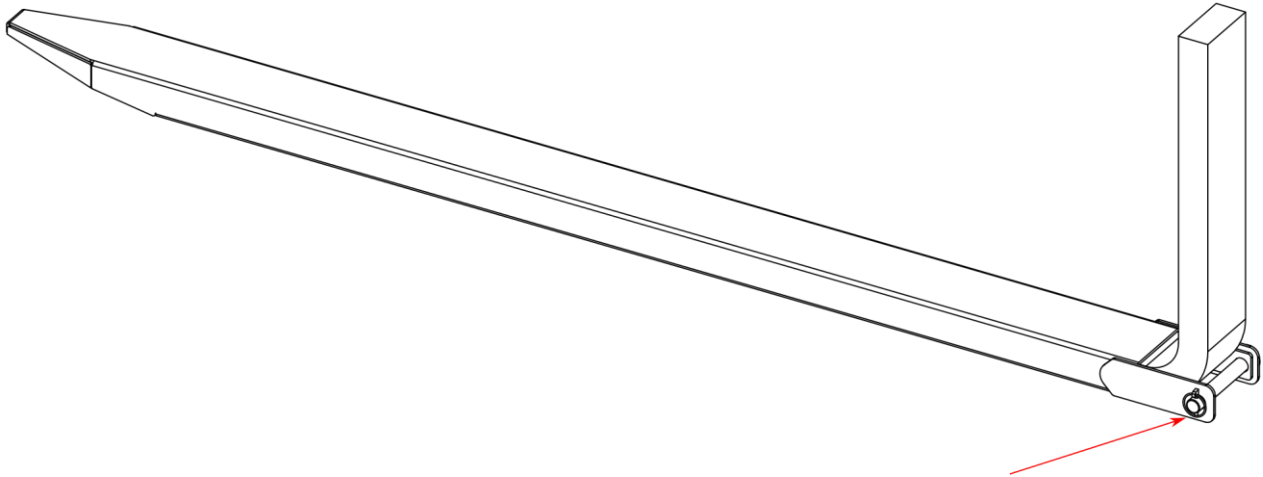
Caution:

Always drive with the Extension forks in the lowest possible position

General description

The extension forks are designed to create extra length for the forklift forks. With the extra length of these Extension forks it is possible to pick up longer pallets or even two pallets which are behind each other. This is only possible if the maximum capacity is not exceeded.

Installing Extension forks



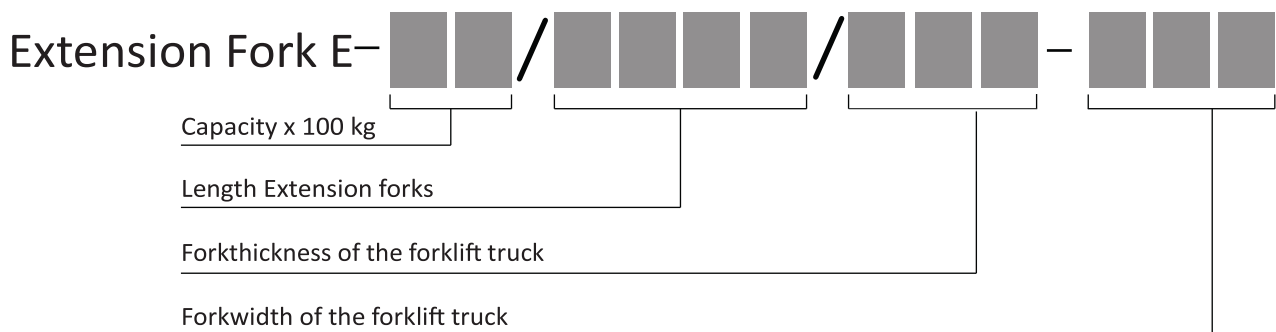
Step 1: Remove the shaft, as indicated with the arrow, from the Extension forks.

Step 2: Slide the Extension forks on the forklift forks.

Step 3: Place the shaft back, as shown in the picture above.

Step 4: Secure the shaft using the linch pins.

Type description



Available Types

Type:	capacity(kg)
E15-1600 035 80	1500
E15-1800 035 80	1500
E18-1600 035 100	1800

Type:	capacity(kg)
E38-1800 050 100	3800
E38-2000 050 100	3800
E39-1600 045 125	3900

E18-1800 035 100	1800
E19-1200 040 80	1900
E19-1600 040 80	1900
E19-1700 040 80	1900
E19-1800 040 80	1900
E19-2000 040 80	1900
E19-2100 040 80	1900
E19-2400 040 80	1900
E24-1200 040 100	2400
E24-1500 040 100	2400
E24-1600 035 130	2400
E24-1600 040 100	2400
E24-1700 040 100	2400
E24-1800 035 130	2400
E24-1800 040 100	2400
E24-2000 040 100	2400
E24-2100 040 100	2400
E24-2400 040 100	2400
E29-1600 040 120	2900
E29-1800 040 120	2900
E29-2100 040 120	2900
E29-2400 040 120	2900
E31-1600 045 100	3100
E31-1700 045 100	3100
E31-1800 045 100	3100
E31-2000 045 100	3100
E31-2100 045 100	3100
E31-2400 045 100	3100
E32-1600 040 130	3200
E32-1800 040 130	3200
E37-1600 045 120	3700
E37-1800 045 120	3700
E37-2100 045 120	3700






E39-1800 045 125	3900
E39-2000 045 125	3900
E39-2100 045 125	3900
E39-2200 045 125	3900
E39-2400 045 125	3900
E40-1600 045 130	4000
E40-1800 045 130	4000
E40-2000 045 130	4000
E40-2300 045 130	4000
E40-2400 045 130	4000
E46-1600 050 120	4600
E46-1800 050 120	4600
E46-2100 050 120	4600
E46-2400 050 120	4600
E46-50-2000 050 120	4600
E46-50-2500 050 120	4600
E48-1600 050 125	4800
E48-1800 050 125	4800
E48-2250 050 125	4800
E48-2800 050 125	4800
E54-1600 050 140	5400
E54-1800 050 140	5400
E54-2000 050 140	5400
E54-2100 050 140	5400
E54-2100 062 139	5400
E54-2190 062 139	5400
E54-2400 050 140	5400
E58-1600 050 150	5800
E58-1800 050 150	5800
E58-2000 050 150	5800
E58-2000 060 150	5800
E58-2100 050 150	5800
E58-2400 050 150	5800

E37-2200 045 120	3700
E37-2400 045 120	3700
E37-2400 055 131	3700
E37-2400 062 140	3700
E38-1600 050 100	3800

E70-1700 060 130	7000
E70-2400 060 130	7000
E70-2800 060 130	7000
E115-3300 070 150	11500

5

Maintenance schedule

N ^o	Description	Before use	Every 100 hours
1.	Check the wear of the Extension fork. ¹		
2.	Check the shaft for damage at the back of Extension fork.		
3.	Check if the locking pins are still in place.		

1. When the wall thickness is reduced by 25% the extension fork needs to be replaced.

Spare parts

Pos No.	Description	Article Nr.	Amount
1	Linch pin 4,5mm	39660 4.5	2
2	Shaft 20mm	RE0069047132	1

Production and safety standards

Meijer Handling Solutions B.V. requires its products to be of the highest quality and we can only guarantee this by complying with all applicable international standards and regulations like:

ISO 13284

Fork-arm and telescopic fork arms.

ISO 14001

Environmental management standard for reducing environmental impact in operations.



Meijer Handling Solutions B.V.

Oudebildtdijk 894

9079 NG St. Jacobiparochie

Netherlands

Website: www.meijer-handling-solutions.com

Telephone: +31 (0)518 492929

Telefax: +31 (0)518 492915

E-mail: info@meijer-group.com