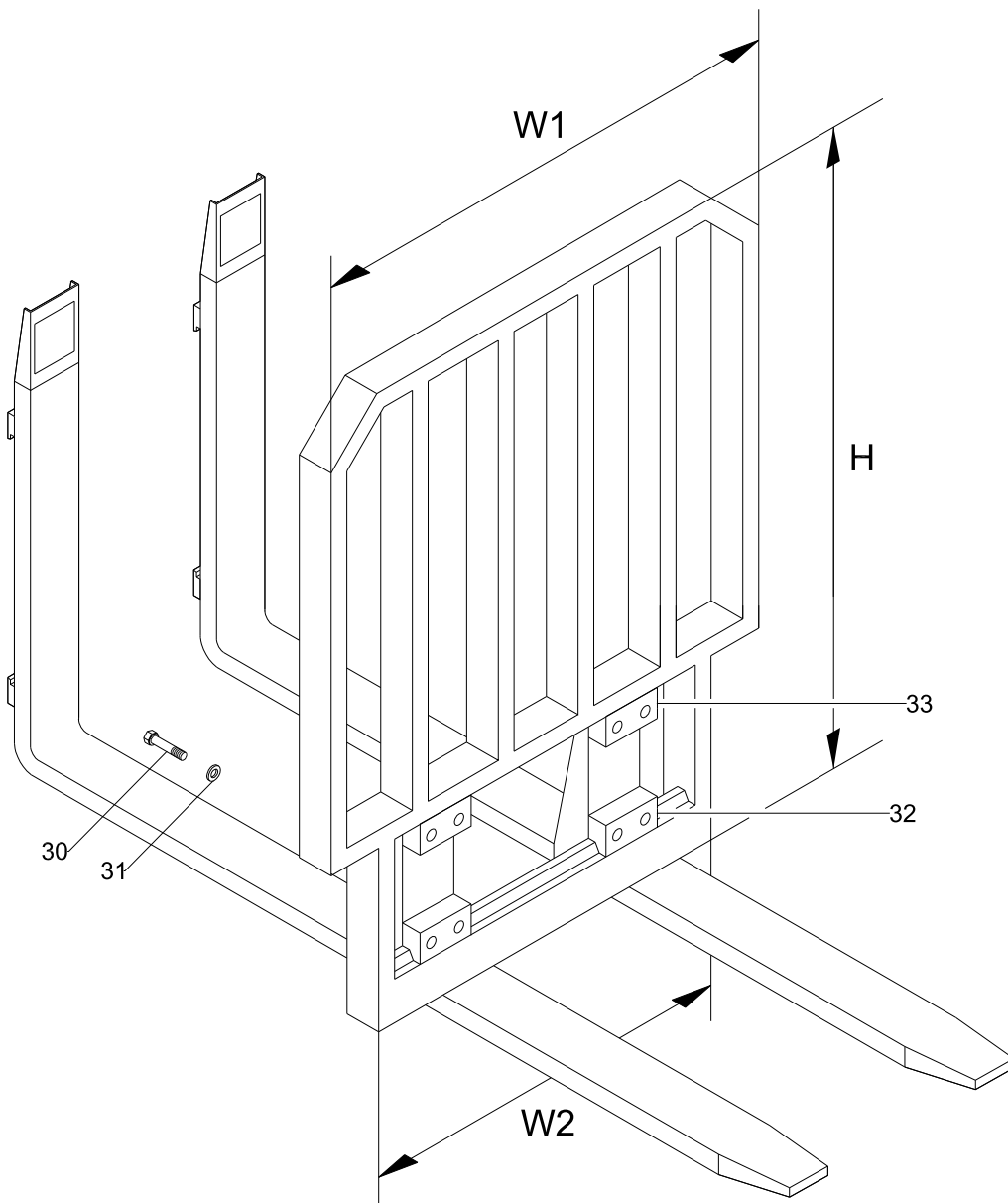


LOAD BACK REST



Dimensions Load Back Rest

W1	W2	H
725	1000	1200
750	1000	1200
750	750	1200

(other dimensions on request)



Pos. number	Article description	Article number	RG4/RGE4	RG2/RGE2
30	Bolt M12x25mm	01210 M12x25	8	8
31	Spring ring M12	37020 M12	8	8
32	Lower mounting block load back rest 170	RE00020370170	2	
33	Upper mounting block load back rest	RE00030370140	2	2
34	Lower mounting block load back rest 140	RE00020370140		2